

Autumn 2006



BROOKS

Decking

*Come and speak to the experts
for all your decking requirements!*



Ask us. We'll know.



WHY you should buy a deck from

BROOKS

Page **Contents**

- 1 Why you should buy a deck from Brooks
- 2 Types of decking
- 4 Top tips
- 5 Decking patterns
- 6 Step by step guide
- 8 Accessories
- 9 Protection and maintenance for decks/tools/accessories

A timber deck will greatly enhance your home and extend your living space outside.

You may want somewhere to relax and soak up the sun during the summer, enjoy al fresco dining, entertain family and friends or have an extra space where the children can play. A timber deck provides the ideal solution for all of these scenarios.

The natural beauty of wood is a welcoming alternative to concrete or stone paving. Its versatility makes decking adaptable to most settings and is the perfect solution for otherwise sloping sites.

Brooks stock a comprehensive range of quality products and can provide you with everything you will need for your new deck, from the decking boards and decking accessories, to all of the products and tools required for the construction, treatment and maintenance of your deck. Make Brooks the first choice for all your decking requirements.

Brooks dedicated sales staff can offer you expert advice in the design and construction of your deck and can demonstrate the extensive range of products available through our fantastic decking centres on display in each branch.

The Brooks Group are Ireland's leading timber and building materials merchants and as such Brooks sales staff have an excellent product knowledge and a deep commitment to customer service.

In this brochure we have outlined important points for you to consider when planning, constructing and maintaining your deck. However, if you have any questions or issues you are unsure about, our experienced staff are available to help answer your questions.



Ask us. We'll know.

BROOKS supply 3 main types of decking:



BROOKSDECK

This is a Scandinavian pine which has been pressure treated to extend the life of the timber when it is in contact with the ground. This protects the timber against decay, the weather and insect attack. It is supplied by a PEFC approved source.

Pine decking is light green in colour and can be stained to create different looks. The decking boards are also reversible – one surface is smooth and the other is ribbed, providing an anti-slip surface, if you so desire.

Sizes: 32 x 125 mm
44 x 150 mm

Product Codes: BDT032125
BDT044150

Cedar Decking

Western red cedar decking is firm but resilient underfoot, not hard and unyielding. This sound and tight knotted decking limits both the size and quality of characteristics to meet the highest buyer expectations. It is the top choice where natural beauty and lasting charm is desired. Cedar can be stained or allowed to weather to a silver grey colour. Natural oils provide the necessary durability without any treatment.

Sizes: 51 x 102 mm
51 x 152 mm

Product Codes: CRD051102
CRD051152



Cedar Decking



Balau Decking

Balau Hardwood Decking

This is a hard, tight grained wood with extreme colour consistency. Balau is ideal for decking timber because of its high durability and natural resistance to decay. Balau is kiln dried which reduces shrinking, splitting and checking. Balau may be stained or allowed to weather naturally to a silver grey colour. Balau decking is also reversible, depending on the desired look.

Size: 21 x 145 mm

Product Code: BHD021145

BROOKS Top Tips: how to construct a deck

Timber Joists

For the building of your timber deck we would suggest you use TANALITH E treated timber for joisting. The sizes available ex stock are:

Sizes:	44* x 75 mm	Product Codes:	STT044075
	44* x 100 mm		STT044100
	44* x 150 mm		STT044150

* Northern Ireland 47mm

Other sizes are available on request to solve all your decking requirements. To enhance the lifetime of your deck we would recommend that you seal all cut ends of timber with a suitable proprietary end seal.



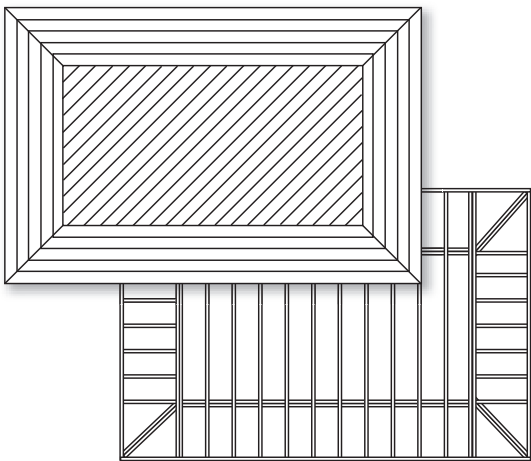
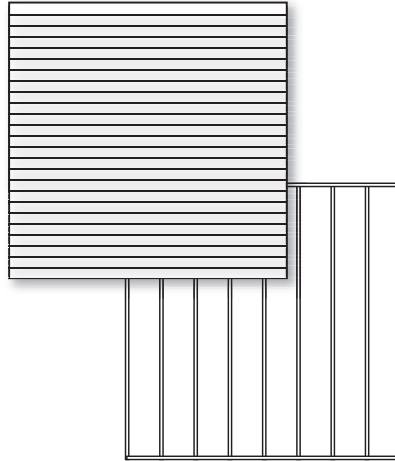
Tips for Good Deck Building

- Materials stored on site before and during building should be protected from rain. Use a waterproof cover.
- Plan the deck carefully before commencing any construction work.
- Spend time preparing the proposed site. Remove all vegetation, apply a proprietary weed killer and weed block. To prevent further growth underneath the deck we would recommend the use of a geotextile membrane.
- Don't bridge the damp course or cover airbricks if fixing to the side of a house.
- All fixings should be stainless steel, hot dipped galvanised or coated specifically for exterior use.
- All cut ends and drill holes on all timber deckboards, joists, posts and balustrades must be treated with a suitable proprietary end seal.
- We would recommend the use of a balustrade system on all decks for greater safety. Balustrades can also help deflect wind on exposed decks or on decks where you require extra privacy from neighbours.

Decking Patterns

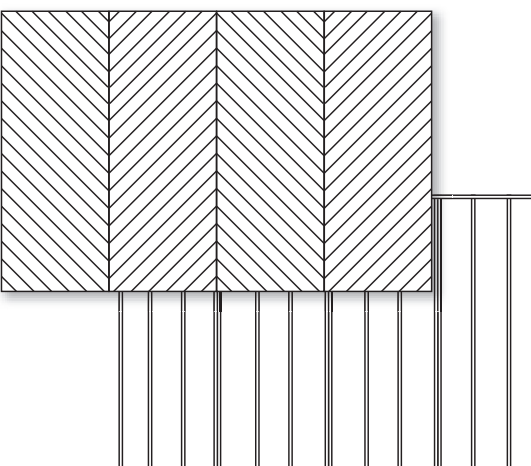
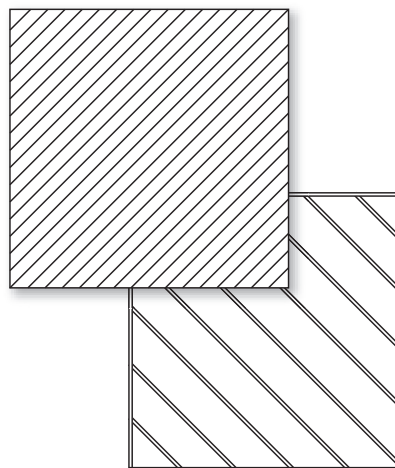
Decking patterns are often overlooked at the planning stage, but they can greatly effect the overall appearance of the finished deck. Examples of the various laying patterns are illustrated below:

Standard Pattern



Picture Frame Pattern

Diagonal Pattern



Herringbone Pattern

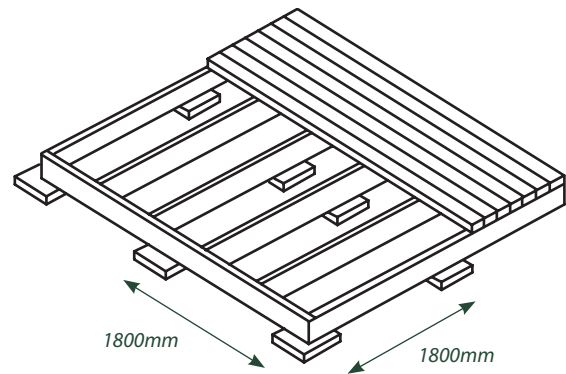
STEP by STEP GUIDE

A deck can be built in two ways:

Ground Level Decks

A deck can be built on a concrete base.

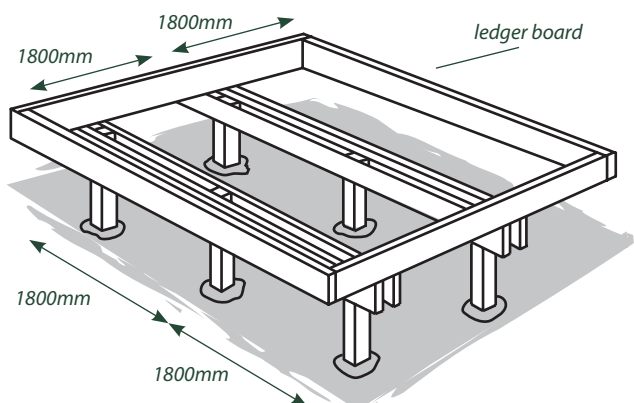
- Use a concrete slab (minimum 600 x 600 x 50mm) and bed into position using a sand and cement mix.
- Space the base support paving slabs at a maximum of 1800mm centres.
- The frame to support and fix the deck should be made of 44 x 150mm TANALITH E treated timber and be mechanically fixed to the slabs.
- Joists should be spaced at 400mm centres.
- Proprietary decking screws or galvanised nails and joist hangers should be used for fixing.



Elevated Decks

Elevated decks can be free standing or have one or more sides attached to the side of a house, wall or building.

- The joist frame to support and fix the deckboards is in turn supported by posts and beams.
- Beams are constructed from 44 x 150mm TANALITH E treated timber and posts from 75 x 100mm TANALITH E treated timber.
- Posts should be fixed at a maximum of 1800mm centres.
- Posts should be fixed in holes using a sand and cement mix.
- Once posts have set, fix beams to posts using deck screws or galvanised nails.
- The joist frame is then fixed to beams using deck screws or galvanised nails with joists at a maximum of 400mm centres.
- For increased support, use noggins between joists fixed at 90 degrees.



Fixing the Handrails to your Deck

The safety and beauty of your deck can be enhanced by spindles or railings.

- A post is required in each corner and at 1800mm centres. Each post is bolted to the inside of joists.
- Off cuts of joists can be used to provide additional support to subsequent decking boards which will fit around the posts to the edge of the deck.
- Cut handrails and base rails to size between the posts and assemble with spindles between base rails and handrails. A maximum distance of 100mm between spindles is recommended.
- Once assembled fix the railing assembly between the posts to the correct height.
- Finally fit the newel cap to each post.

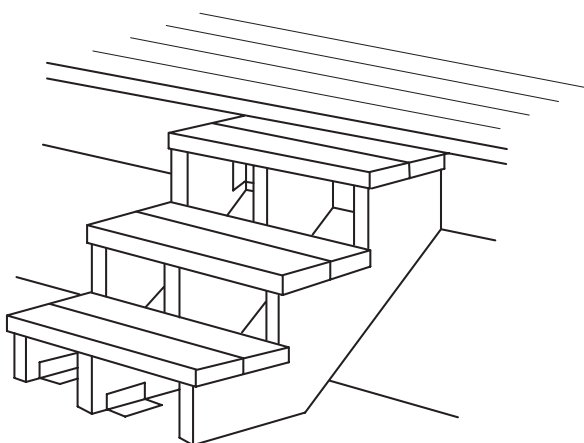
Fixing of Deckboards

Traditional Fixing: Fix screws through the face of the deck into the joist frame using two screws at each joist. Ensure that each fixing is 25mm from the end and edges of the boards to reduce the risk of splitting. The boards should be spaced 6-9mm apart to allow for drainage and movement.

Deck Ties: Deck ties automatically space the deckboards and are completely hidden when fixed. When using deck ties you must allow for joist arrangement to be at a 90 degree angle to the finished deckboard laying pattern.

Steps

- The height and position of your deck will influence the style and position of your steps. Steps can be made from a combination of joist posts and deckboards or with pre-cut stair strings.
- Position the steps at 90 degrees to the deck at a maximum of 400mm centres. Fix to deck screws and joist hangers.
- At ground level fix the stair strings to paving slabs or concrete slabs for maximum stability.
- Treads to be made out of deck boards allowing 30mm overhang for each string.



Accessories

Balustrades and Timber Panels

Choosing a particular style of balustrade or timber panel will give your deck an individual look as well as a safe barrier for anyone using it. All balustrades and timber panels can be stained to complement your deck design.

Balustrades



American Style: Straight balusters, patrice newel and chunky hand and base rails will create an American look with clean straight lines.



Colonial Style: Turned balusters and newel posts with a traditional hand and base rail creates a tranquil country style.

Timber Panels



Crosshatch Panel



Sunburst Panel

Decorative timber panels are a great way to add an extra dimension to your deck. Decorative timber panels fixed between traditional rails, newel posts and spindles, can really make a panel a feature of your deck. To add that extra something, why not try metal spindles and metal panels which can create an exciting textural effect. Please contact a member of Brooks staff to assist you in the design of your personal contemporary balustrade.

Products:

American Spindle
Colonial Spindle
Square Newel Post
Turned Newel Post
American Handrail
Decking Handrail
Cross Hatch Panel
Sunburst Panel

Product Codes:

752884
656513
292380
512985
358644
173866
626329
110627

Deck Construction - Tools and Accessories

Brooks can supply you with all the products and tools you will need for the construction, treatment and maintenance of your deck. We can also supply you with the necessary safety clothing you should be wearing. Ask our experienced sales staff about any questions or issues you are unsure about, as we will be only to delighted to assist you.

Tool Requirements

Spirit Level
Knee Pads
Shovel
Pickaxe
Rake
Lump Hammer
Variable Speed Drill
Tape Measure
Handsaw
Jig Saw
Wood and Masonry Drill Bits
Safety Wear-Boots, Gloves & Safety Glasses

Accessories

Geotextile Membrane
Decking Screws
Galvanised Nails
Wood Glue
Wood Filler
Proprietary Wood Treatment
Joist Hangers
Handrail Supports
Handrail Ties

All the items above are available from Brooks.

Protection and Maintenance for Decks

- Decking Cleaner:**
- Cleans and brightens decking in minutes.
 - Removes dirt, grease, stains, algae and mildew.
 - Restores the natural beauty of weathered wood.
 - Use to clean new or previously treated decking.



- Decking Seal:**
- A transparent water-repellent barrier for the protection of timber decking.
 - Waterproofs without changing the deck's colour.
 - Allows decking to weather naturally to grey.
 - Helps prevent swelling and cracking of timber.



- Decking Stain:**
- Ultimate colour and protection.
 - Resists cracking and peeling.
 - Suitable for pre-treated timber.
 - Water based.
 - Natural matt finish.



- Decking Oil:**
- Deep penetrating, natural oil based protection.
 - Use on quality hardwood or softwood decks.
 - Suitable for pre-treated timber.
 - Matt finish.



Republic of Ireland

Ballina

Crossmolina Road
Ballina
Co. Mayo
096-71500

Cork

South Terrace
Cork
021-4275191

Pouladuff Industrial Estate
Togher
Cork
021-4275191

Dublin

Northern Cross Business Park
North Road
Finglas
Dublin 11
01-8110100

60 Heather Road
Sandyford
Dublin 18
01-2940200

Bluebell
Naas Road
Dublin 12
01-4190000

Upper Mayor Street
North Wall
Dublin 1
01-8555333

Galway

Racecourse Road
Parkmore
Ballybrit
Galway
091-752777

Kildare

Toughers Industrial Estate
Newhall
Naas
Co Kildare
045 409000

Limerick

Tipperary Road
Ballysimon
Limerick
061-414912

Longford

Richmond Street
Longford
043-45820

Sligo

Finisklin Road
Sligo
071-9161111

Tralee

Clash Industrial Estate
Tralee
Co. Kerry
066-7195300

Tullamore

Church Road
Tullamore
Co. Offaly
0506-21533

Waterford

4 Park Road
Waterford
051-872041

Northern Ireland

Belfast

27 Duncrue Street
Belfast
BT3 9AR
028-9074 4201

Cookstown

Ballyreagh Business Park
Sandholes Road
Cookstown
BT80 9AR
028-8676 7422

Downpatrick

20/22 Church Street
Downpatrick
BT30 6ER
028-4461 6325



Pictures are for illustrative purposes only. Colours are accurate as printing techniques allow. E&OE.

**Come and speak to the experts
for all your decking requirements!**

BROOKS 

Ask us. We'll know.